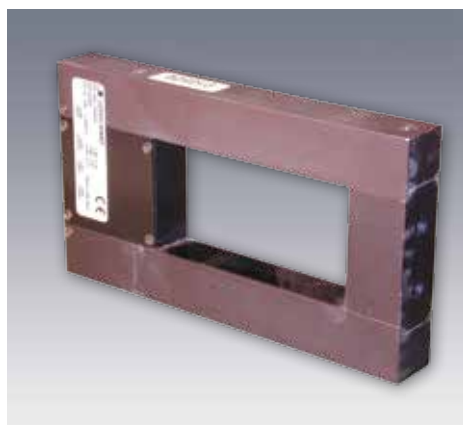


FG 40 / 80 / 120

Optical windows



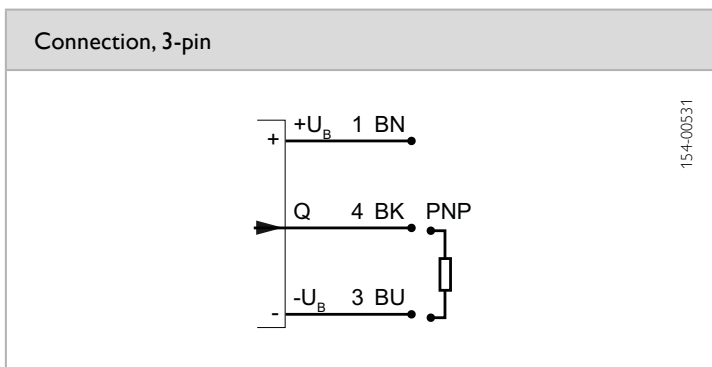
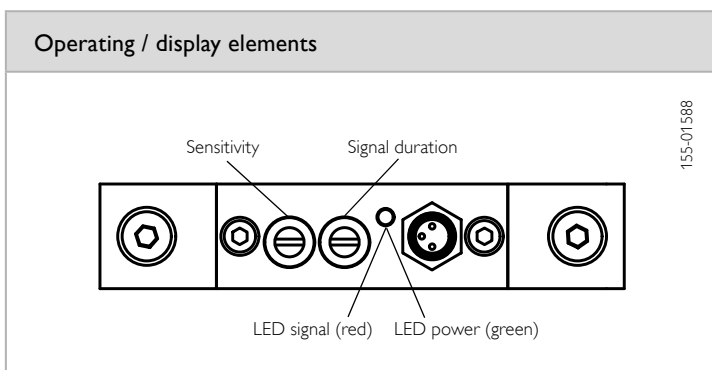
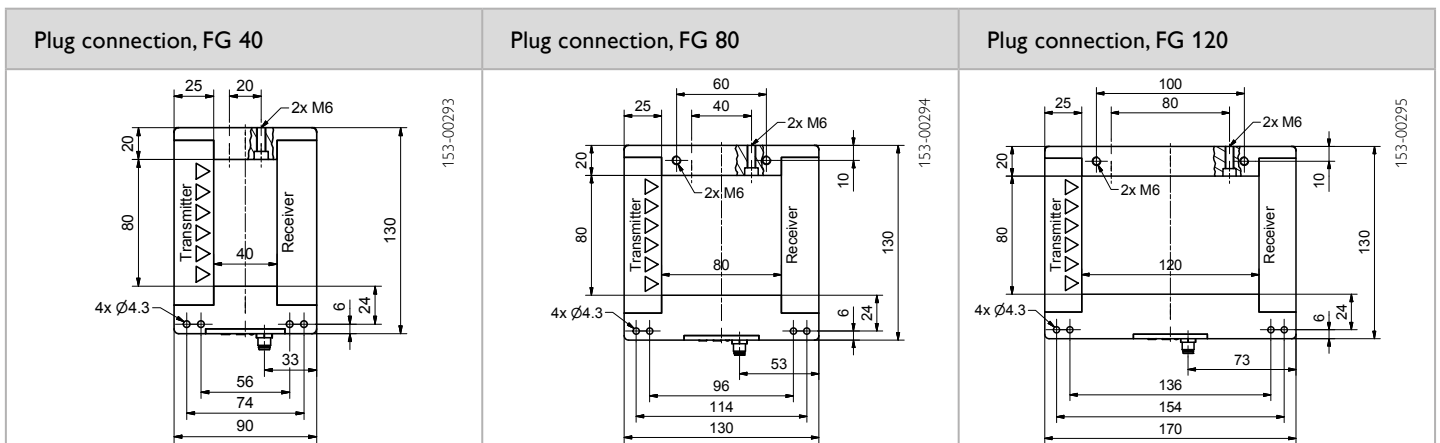
PRODUCT HIGHLIGHTS

- Ideally suited for monitoring ejection
- Active zone 40, 80 or 120 mm
- Dynamic evaluation
- Adjustable output signal duration 10 ... 300 ms

Optical data		Functions	
Window size	40 x 80 mm ² / 80 x 80 mm ² / 120 x 80 mm ² (see Selection Table)	Display LED, green	Operating voltage indicator
Type of light	Infrared, 880 nm	Display LED, yellow	Switching output indicator
Resolution	1.0 mm ^{1, 2} / 1.2 mm ³	Sensitivity adjustment	Via potentiometer
		Adjustment possibilities	Output signal duration via potentiometer
Electrical data		Mechanical data	
Operating voltage, +U _B	10 ... 30V DC	Dimensions	(See plug connection)
No-load current, I ₀	≤ 40 mA ¹ / ≤ 45 mA ² / ≤ 60 mA ³	Enclosure rating	IP 67 ⁴
Output current, I _e	≤ 200 mA	Material, housing	Aluminium, anodised
Voltage drop,	≤ 3.5 V	Material, active areas	PMMA
Protective circuits	Reverse polarity protection, U _B / Short-circuit protection (Q)	Type of connection	See Selection Table
Protection Class	2	Ambient temperature: operation	-10 ... +55 °C
Power On Delay	< 100 ms	Weight	See Selection Table
Switching output, Q	PNP		
Output function	N.O.		
Switching frequency, f (ti/tp 1:1)	3 ... 100 Hz		

¹ FG 40 ² FG 80 ³ FG 120 ⁴ With connected IP 67 plug

Window size	Switching output	Type of connection	Weight	Part number	Article number
40 x 80 mm ²	PNP	Plug, M8x1, 3-pin	280 g	FG 40 I-PSM3	831-81000
80 x 80 mm ²	PNP	Plug, M8x1, 3-pin	400 g	FG 80 I-PSM3	831-81001
120 x 80 mm ²	PNP	Plug, M8x1, 3-pin	480 g	FG 120 I-PSM3	831-81002



Accessories

Connection cables	From Page A-38
-------------------	----------------