

# Absolute-Encoder CMV582 - IO-Link

Ref.: K-CMV58\_2-IOL-1

24.06.2021

010102058201010201

## Advantages

- Free digital input/output
- Industry 4.0 + IIoT pioneer
- Intelligent diagnoses
- Preset "on the fly"
- Rugged standard



IO-Link



## General Data

Nominal voltage	
- Specific value	24 VDC
- Limit values, min/max	18/30 VDC
Nominal current, typically	
- Specific value	40 mA
- Condition	unloaded
Supply	
- In case of UL / CSA approval	according to NEC Class 2
Device design	
- Type	Single-/Multi-Turn
Total resolution	$\leq 31$ Bit
Number of steps per revolution	$\leq 8192$
Number of revolutions	$\leq 256000$
Accuracy	$\pm 0.5^\circ$
SSI - Interface	
- Equipment	Optional interface
- SSI-Clock input	Optocoupler
- SSI-Data output	RS-422, 2-wire
- SSI-Clock frequency	80...1000 kHz
- SSI-Mono time, typically	4...999 $\mu$ s
- Protocol, TR-specific	Function information + CRC
- Output code	Binär, Gray, Gray clipped

Subject to change.

TR-Electronic GmbH  
 Eglshalde 6  
 78647 Trossingen  
 Tel. +49 (0) 7425 228-0  
 info@tr-electronic.de  
[www.tr-electronic.de](http://www.tr-electronic.de)

## Absolute-Encoder CMV582 - IO-Link

Ref.: K-CMV58\_2-IOL-1

24.06.2021

010102058201010201

### General Data continuation

- Number of data bits	1...64
IO-Link - Interface	
- IO-Link	IEC 61131-9
- Communication	Point-to-Point Connection
- Data transmission	3-wire, unshielded
- Port class	Type A
- IO-Link specification	V1.1
- Process data input	4-Bytes position data
- Process data input	4-Bytes velocity data
- Process data output	4-Bytes preset value
- Process data output	1-Byte preset control
- Cycle time	>= 1 ms
Transmission rate	
- Specific value	COM 3: 230.4 kbit/s
Parameter/Function, changeable	Preset parameter
	Adjustment - Parameter
	Scaling parameter
	Counting direction
	Velocity parameter
Type of parametrization	programmable
Programming - Tool	Fieldbus-Device
Maximum Speed, mechanically	<= 12000 1/min
Shaft load, axial/radial	<= 50 N, <= 100 N
Bearing life time	>= 3.9E+10 revolutions
Bearing life time - Parameter	
- Speed	6000 1/min
- Operating temperature	60 °C
- Shaft load, axial/radial	= 60 %
Point of origin, shaft load	Mounting flange + 10 mm
Shaft type	
- Shaft diameter [mm]	6
- Shaft diameter [mm]	8
- Shaft diameter [mm]	10
- Shaft diameter [mm]	12
- Shaft diameter ["]	1/4
- Shaft diameter ["]	3/8
- Shaft diameter ["]	1/2
Angular acceleration	<= 10E+4 rad/s <sup>2</sup>

Subject to change.

# Absolute-Encoder CMV582 - IO-Link

Ref.: K-CMV58\_2-IOL-1

24.06.2021

010102058201010201

## General Data continuation

Moment of inertia, typically	1.3E-6 kg m <sup>2</sup>
Start-up torque, 20 °C	2 Ncm
Mass, typically	0.25...0.35 kg

## Environmental conditions

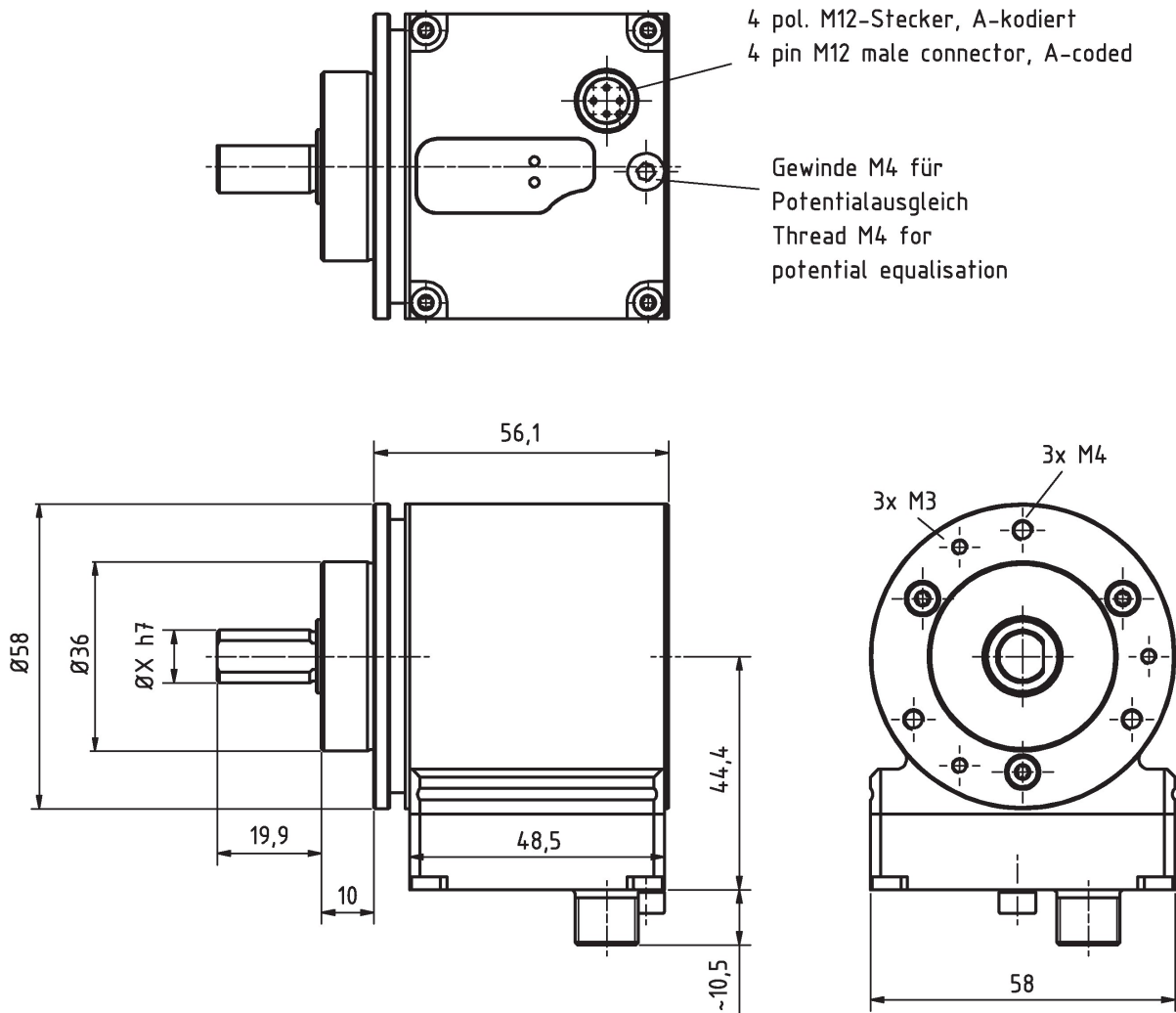
Vibration	DIN EN 60068-2-6
- Specific value	<= 100 m/s <sup>2</sup>
- Sine	50...2000 Hz
Shock	DIN EN 60068-2-27
- Specific value	<= 1000 m/s <sup>2</sup>
- Half sine	11 ms
Immunity to disturbance	DIN EN 61000-6-2
Transient emissions	DIN EN 61000-6-3
Working temperature	
- Standard	-20...+75 °C
- Optional	-40...+85 °C;
Storage temperature, dry	-30...+85 °C
Relative humidity	98 %, non condensing
Protection class	
- Standard	IP65
Resistance	
- against salt (seawater)	DIN EN IEC 60068-2-52
- Test method	Test method 1
- excluded are	Attachment parts

Subject to change.

# Absolute-Encoder CMV582 - IO-Link

Ref.: K-CMV58\_2-IOL-1  
 24.06.2021  
 010102058201010201

## Dimensional drawing



Fehlende Abmaße, siehe Art.-Nr. bezogene Zeichnung /  
 Missing dimensions, see drawing related to the order number

Subject to change.

TR-Electronic GmbH  
 Eglshalde 6  
 78647 Trossingen  
 Tel. +49 (0) 7425 228-0  
 info@tr-electronic.de  
[www.tr-electronic.de](http://www.tr-electronic.de)

## Absolute-Encoder CMV582 - IO-Link

Ref.: K-CMV58\_2-IOL-1

24.06.2021

010102058201010201

### Suggested products

CMV582M*4096/4096 IOL 36ZB 10FL	CMV582M-00028
CMV582M*4096/4096 IOL 36D65ZB 10FL	CMV582M-00034

Subject to change.