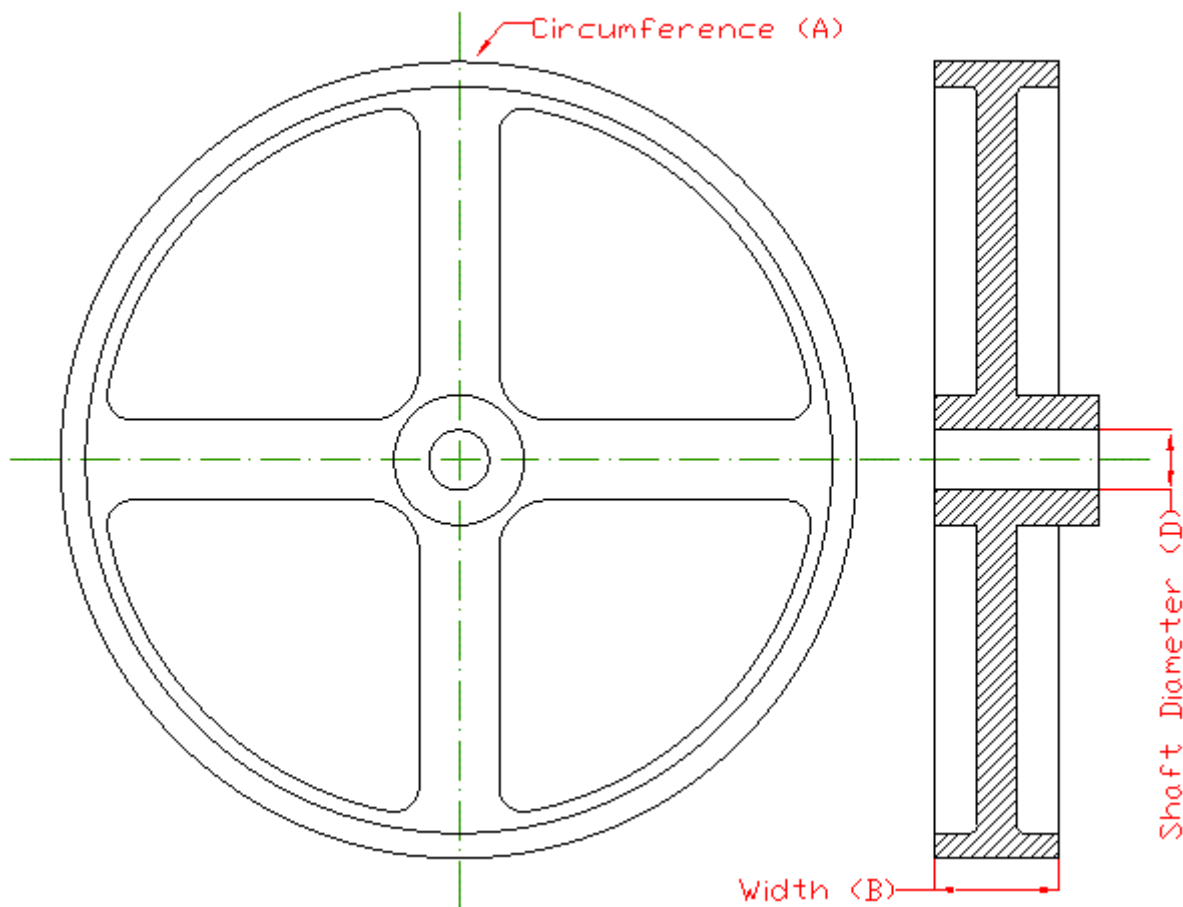
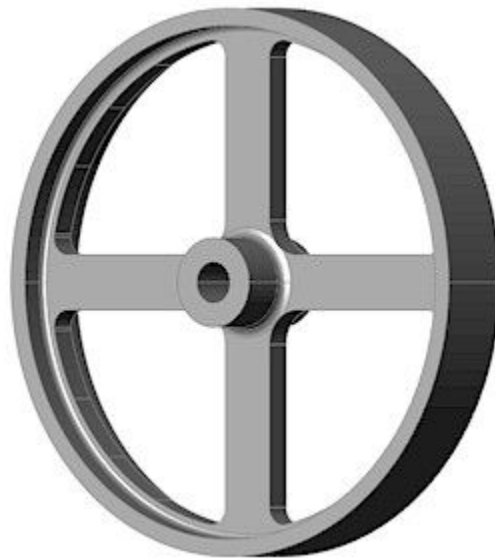


Measuring Wheels

Type 91XX - Many sizes >



Dimensions and Part Numbers:

Part Number	Circumference (A)	Width (B)	Shaft Diameter (D)	Material
9101	500 mm	25 mm	Up to 12 mm	Plastic
9102	500 mm	25 mm	Up to 12 mm	Dimpled Rubber coated Alu

9103	500 mm	25 mm	Up to 12 mm	Knurled Aluminum
9108	200 mm	12 mm	Up to 12 mm	Plastic
9109	200 mm	12 mm	Up to 12 mm	Dimpled Rubber coated Alu.
9110	200 mm	12 mm	Up to 12 mm	Knurled Aluminum