

## CUBE20 DIGITAL IN-/OUTPUT MODULE

16 digital inputs and 16 digital outputs

Expansion module

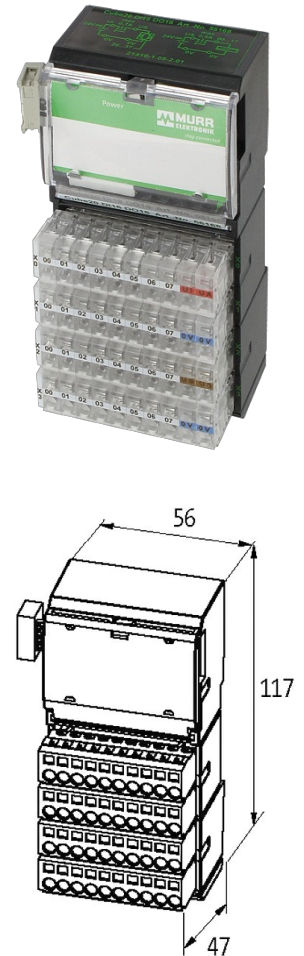
Digital inputs

Digital outputs

DI16/DO16 - (E)

[Link to Product](#)

### Illustration



Product may differ from Image

#### Input

|                    |  |
|--------------------|--|
| Sensor supply US   | 24 V DC (EN 61131-2), max. 700 mA per module       |
| Type               | PNP (EN 61131-2)                                   |
| Input filter       | 1 ms   |
| Galvanic isolation | 500 V DC between inputs and internal communication |

#### Internal communication

|                     |                       |
|---------------------|-----------------------|
| Module supply       | via system connection |
| Current consumption | max. 25 mA            |

#### Connections

|                               |   |
|-------------------------------|---|
| Fieldbus                      | Ribbon cable connection   |
| Sensor-system/actuator supply | 8× spring clamp plug-in terminals, max. 2.5 mm <sup>2</sup> (max. 12 A) |

I/O ports 32× spring clamp plug-in terminals, max. 2.5 mm<sup>2</sup>

#### General data

|                   |   |
|-------------------|---|
| Protection        | IP20  |
| Mounting method   | DIN-rail mountable (EN 60715)                 |
| Temperature range | 0...+55 °C (storage temperature -20...+85 °C) |
| Dimensions H×W×D  | 117×56×47 mm                                  |

#### Output

|                              |   |
|------------------------------|---|
| Actuator supply UA           | 24 V DC (EN 61131-2), max. 12 A                     |
| Galvanic isolation           | 500 V DC between outputs and internal communication |
| Switching current per output | max. 0.5 A (short-circuit and overload protected)   |
| Lamp load                    | 10 W  |

#### Diagnostic

|                            |                                       |
|----------------------------|---------------------------------------|
| Communication status       | via LED                               |
| Diagnostic via LED         | per module and channel (only outputs) |
| Diagnostic via BUS         | per module and channel                |
| Monitoring - under voltage | yes                                   |
| Monitoring - no voltage    | no                                    |
| Short-circuit and overload | yes                                   |

#### Commercial data

|                       |               |
|-----------------------|---------------|
| country of origin     | DE            |
| customs tariff number | 85176200      |
| EAN                   | 4048879049245 |
| eClass                | 27242604      |
| Packaging unit        | 1             |