

Safety switch CEM-I2-AR-.C40-... with guard locking for process protection



- ▶ Safety switch with guard locking for process protection
- ▶ Locking force 600 N
- ▶ Diagnostics via 4 LEDs
- ▶ Adjustable adhesive force (with guard locking inactive)
- ▶ Limit range indication for transponder and anchor plate

Notice

The safety switch CEM-I2-AR-.C40-... is only allowed to be operated in conjunction with the actuator A-C40.

Details

Available coding options

- ▶ Unicode evaluation
- ▶ Multicode evaluation

Adjustable adhesive force

The adhesive force can be adjusted with the aid of a Parameter-Key (order no. 125481) in steps of 0 N, 30 N (default setting on delivery) and 50 N. The adhesive force is active if the guard locking is inactive. The operating voltage UB must be present for this purpose.

Limit-range indication

The device detects if the actuator wanders out of the operating distance and indicates that the actuator is in the limit range by flashing the STATE LED.

This allows the safety door to be readjusted in time. The device also signals if the guard locking force is less than 400 N on switching on.

LED indicator

- POWER** Operating voltage
- STATE** Status
- DIA** Diagnostics
- LOCK** Guard locking

Further information

- ▶ Dimension drawings see p. 65
- ▶ Accessories and spare parts see p. 64
- ▶ For detailed information, enter the order number for the product in the search box at www.euchner.com.
- ▶ You will find information on the series connection of AR device on page 5.

Ordering table

Safety switch

Series	Version	Order No./item	
CEM-I2-AR-... Unicode	 M23 19 pin	124937 CEM-I2-AR-U-C40-SH-124937	For detailed information, enter the order number for the product in the search box at www.euchner.com .
CEM-I2-AR-... Multicode		113739 CEM-I2-AR-M-C40-SH-113739	

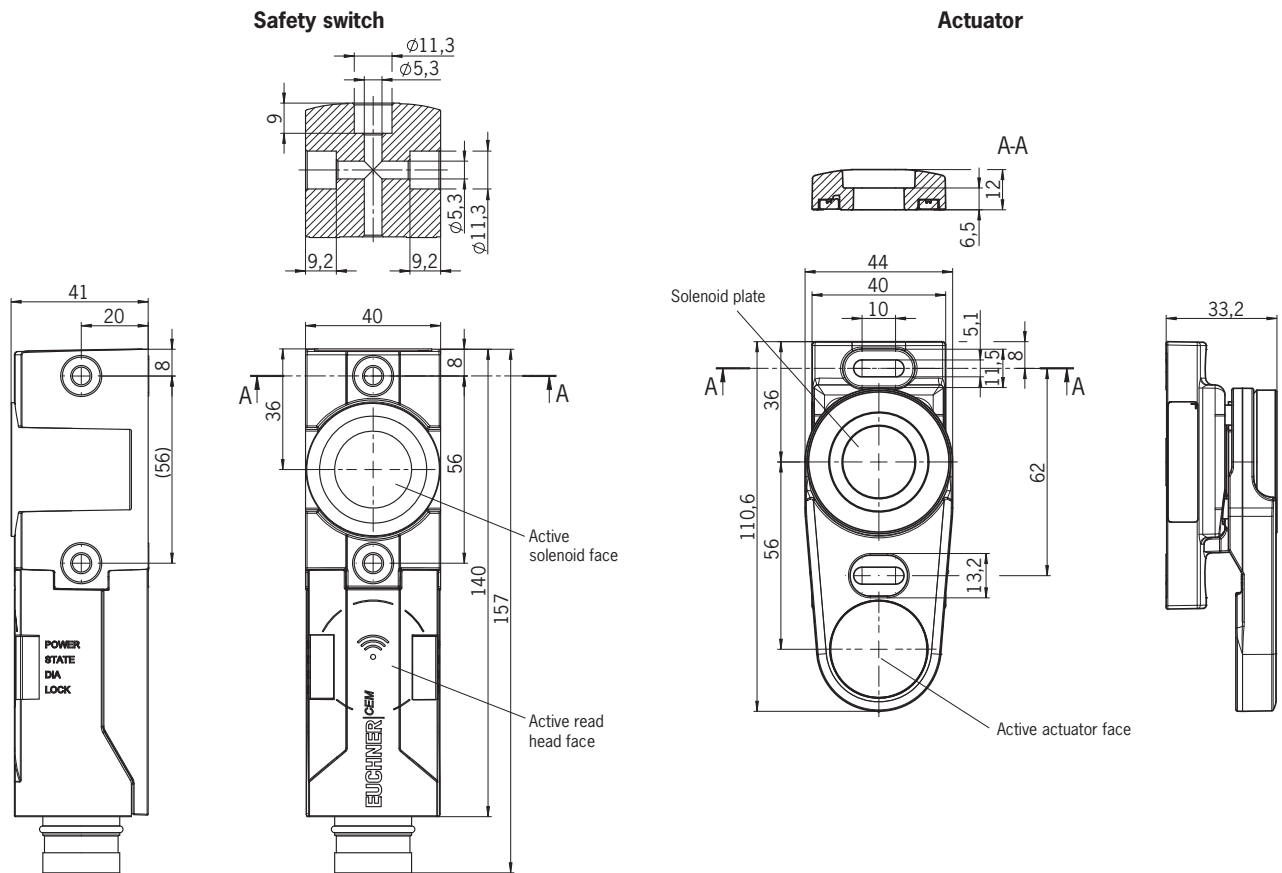
Actuator

Series	Design	Order No./item	
A-C40		113869 A-C40-113869	For detailed information, enter the order number for the product in the search box at www.euchner.com .
Parameter-Key		125481 A-TI-001-125481	

Accessories

Type	Version	
Connection material	Connection cable with plug connectors 	M23 19 pin Page 99
	Female plug (for self-assembly) 	M23 19 pin Page 101
Fixing material	Mounting bracket 	Page 110
	Safety screws	Page 112
Miscellaneous accessories	Lockout bar 	Page 112

Dimension drawing



Terminal assignment

Pin	Designation	Function
1	IMP	Control voltage, guard locking solenoid, 24 V DC
2	F11A	Enable input for channel 1
3	F11B	Enable input for channel 2
4	F01A	Safety output, channel 1
5	F01B	Safety output, channel 2
6	UB	Operating voltage, 24 V DC
7	RST	Reset input
8	OT	Door monitoring output
9	OI	Diagnostics output
10	OL	Guard locking monitoring output
11	-	n.c.
12	FE	Function earth (must be connected to meet the EMC requirements)
13	-	n.c.
14	-	n.c.
15	-	n.c.
16	-	n.c.
17	-	n.c.
18	-	n.c.
19	0 V UB	Operating voltage, 0 V