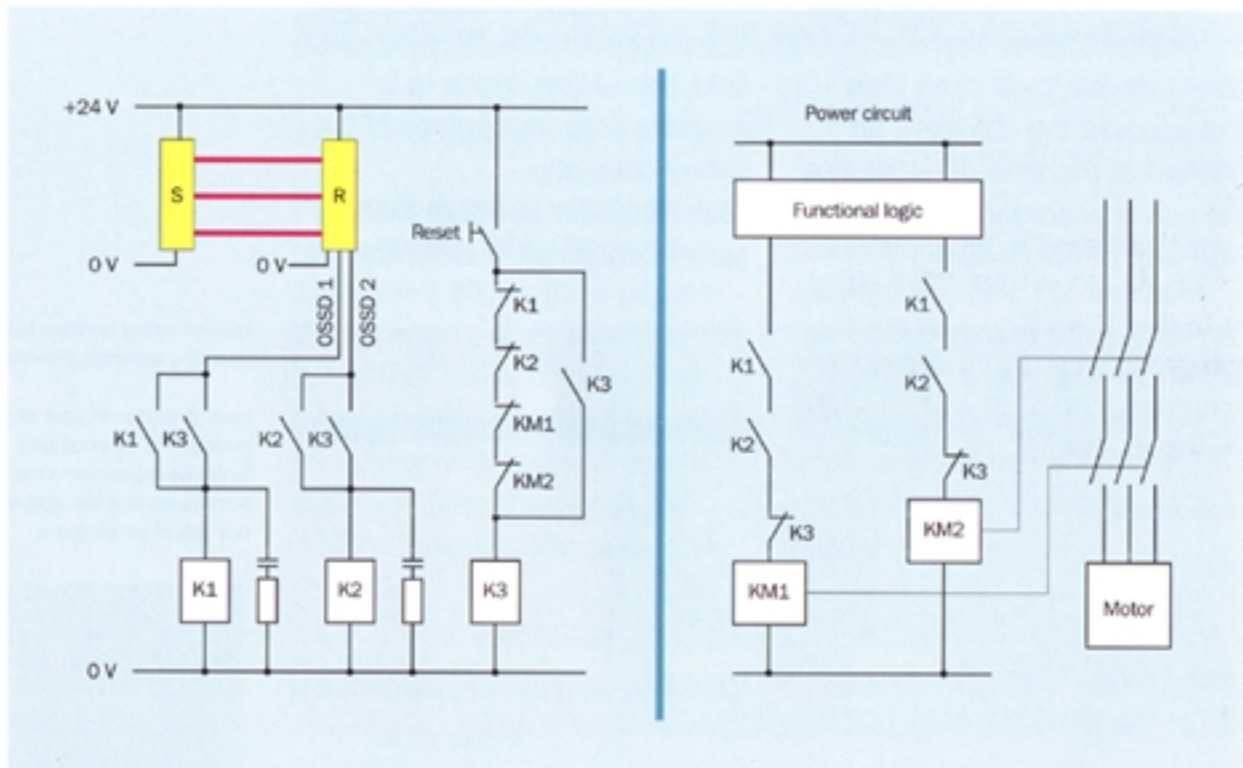


## II.5.2 Example of connection of a type 4 device

### II.5.2.1 With external reset

The diagram represents a simple machine where the AOPD resetting function also causes the machine to start.



K1, K2 and K3 are the auxiliary safety contactors. KM1 and KM2 are contactors.

Here, redundancy is assured at all stages: At the level of the safety device, at the level of the auxiliary contactors K1 and K2 (relay technology) and to protect the coherence of the system at the level of the power contactors KM1 and KM2.

Self-monitoring of contacts is assured by preventing restarting via K3. If one of the NO contacts is stuck, its "counterpart" NC contact remains open. Consequently, the coil of K3 is not energised and will not enable coils K1 and K2 to self-hold. The control circuit therefore remains open.

K1/K2 = FSD1/FSD2

KM1/KM2 = MPCE1/MPCE2