

hohner Hohner Automation Ltd.

[Home](#)
[Email](#)
[Distributors](#)
[Terms](#)
[About Us](#)
[Accessories](#)
[Download 3D AutoCAD](#)

Series 08 stainless steel absolute up to 12 mm - 4...20 mA output



0	8	X	X	-	0	6	X	X	-	0	X	X	X
							<u>Shaft Size</u>			<u>Resolution</u>			
							10 = 10 mm			360 = 1 ramp per turn			
							12 = 12 mm			180 = 2 ramps per turn			
										090 = 4 ramps per turn			
							<u>Connection</u>			<u>Housing Material</u>			
							1 = 2 m (6 ft) cable			S = Stainless Steel			
							2 = 5 m (16 ft) cable						
							4 = 15 m (50 ft) cable						

Precision: 10 bits in 360 degrees, 2.84 increments / degree



Technical Data

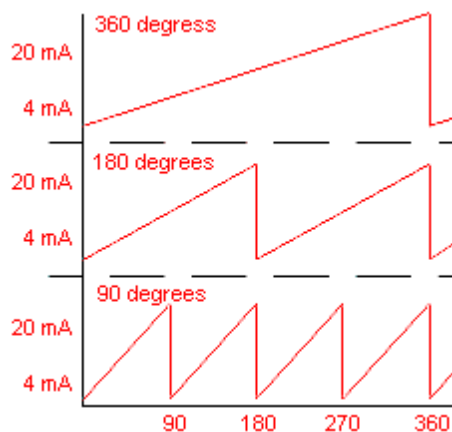
Operating temp:	- 20 ...+ 60 degrees C - 4 ...+ 140 degrees F
Max frequency:	5 kHz
Weight:	26 oz (0.75 kg)
Protection:	IP 66 / X7 M
Housing:	Stainless Steel
Shaft:	Stainless Steel
Bearings:	3 x 6803 ZZ C2
Torque:	0.8 oz/in (6 N-cm)
Shaft load:	Supports its own weight
Humidity:	Up to 100% permissible
Speed:	2000 RPM max.
Max. bits:	10 bit

Connection Options

Cable 2 meters	
+ Loop	Red
- Loop	Black

Output

Diagram is shown clockwise



Certifications

Best suited to work with the following isolators: [MTL5541](#)

IP67M

ATEX [\[Certificate\]](#)

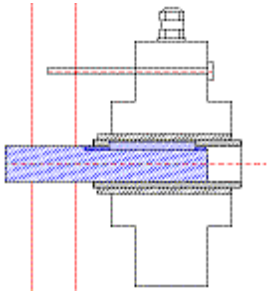
IECEX [\[Certificate\]](#)

CSA [\[Certificate\]](#)

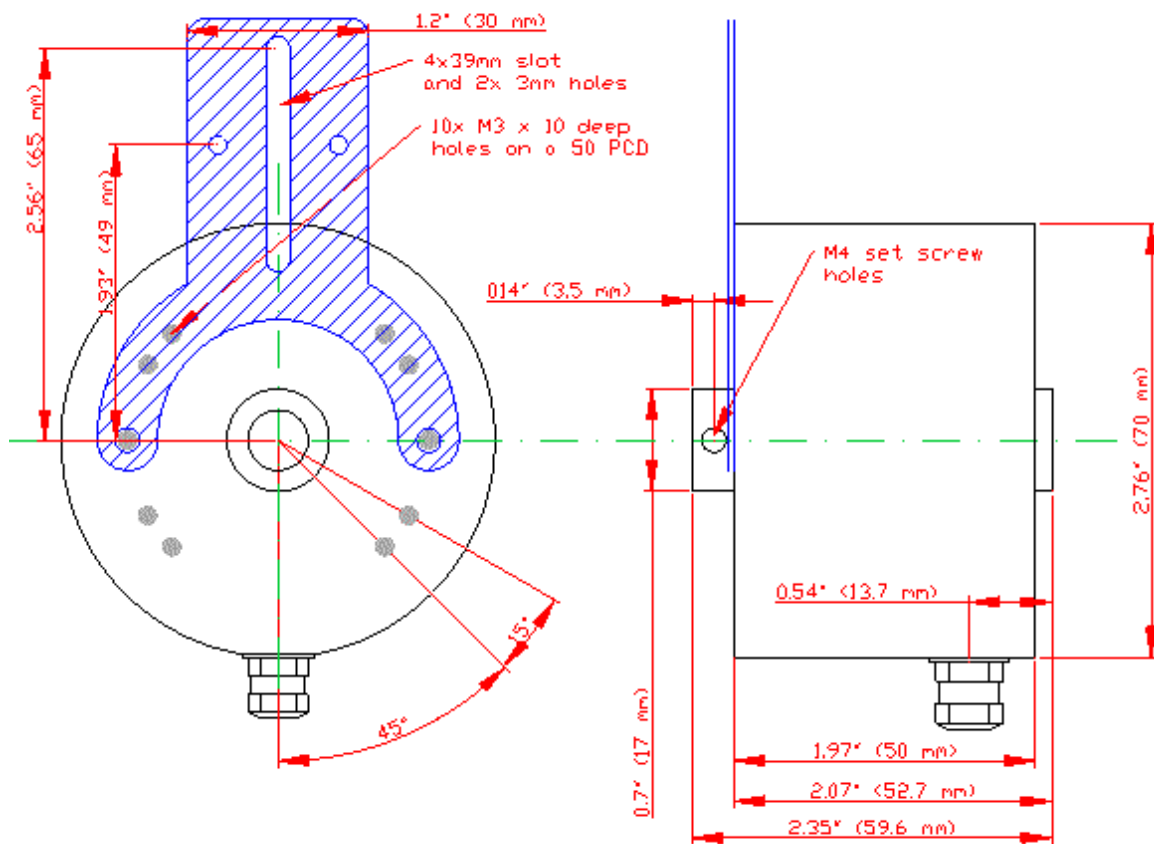
GOST (CU) [\[Certificate\]](#)

Mounting Instructions

Clamp encoder to shaft and use torque arm to prevent rotation. Hook up the encoder with the connection as described. Make sure power supply meets specifications



Dimensions



Hohner Automation Ltd.
Whitegate Industrial Estate
Wrexham LL13 8UG
United Kingdom

Tel: +44 (0) 1978 363-888
Fax: +44 (0) 1978 364-586
E-mail: uksales@hohner.com
Web: www.hohneronline.co.uk