

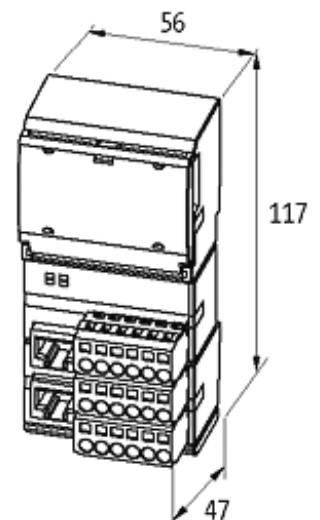
CUBE20 BUS NODE ETHERNET-IP

8 digital inputs

Bus Nodes
DI8 - (BN-E)
EtherNet-IP

[Link to Product](#)

Illustration



Product may differ from Image

Approvals



More Info



Input

| | |
|--------------------|--|
| Sensor supply US | 24 V DC (EN 61131-2), max. 700 mA per module |
| Type | PNP (EN 61131-2) |
| Input filter | 1 ms |
| Galvanic isolation | 500 V DC between I/O and system electronics |

Connections

| | |
|-------------------------------|--|
| Fieldbus | 2 × RJ45 (female) |
| Sensor-system/actuator supply | 4 × Spring clamp terminals, max. 2.5 mm ² (max. 12 A) |
| I/O ports | 8 × Spring clamp plug-in terminals, max. 2.5 mm ² |

Fieldbus

| | |
|-----------------|---|
| Operating modes | Autonegotiation/Auto MDI/MDI-X |
| Transfer rate | 10/100 Mbit/s full duplex |
| Addressing | DHCP, BOOTP or IP address by rotary switch |
| I/O capacity | with modular expandability by up to 15 Cube-modules |

General data

| | |
|----------------------|---|
| Protection | IP20 |
| Mounting method | DIN-rail mountable (EN 60715) |
| Temperature range | 0...+55 °C (storage temperature -20...+85 °C) |
| Dimensions H × W × D | 117×56×47 mm |

Parameterization

| | |
|------------------------------|-------|
| Terminal row X2 (4 channels) | Input |
| Terminal row X3 (4 channels) | Input |

Module Supply

| | |
|-------------------------------|----------------------|
| Operating voltage | 24 V DC (EN 61131-2) |
| Sensor-system/actuator supply | via terminal UB |
| Current consumption | max. 150 mA |

Diagnostic

| | |
|----------------------|------------------------|
| Communication status | per LED and BUS |
| Diagnostic via LED | per module |
| Diagnostic via BUS | per module and channel |

| | |
|----------------------------|-----|
| Monitoring - under voltage | yes |
|----------------------------|-----|

| | |
|-------------------------|----|
| Monitoring - no voltage | no |
|-------------------------|----|

| | |
|----------------------------|-----|
| Short circuit and overload | yes |
|----------------------------|-----|

Commercial data

| | |
|-------------------|----|
| country of origin | DE |
|-------------------|----|

| | |
|-----------------------|----------|
| customs tariff number | 85176200 |
|-----------------------|----------|

| | |
|------------------------|---|
| minimum order quantity | 1 |
|------------------------|---|