

Reflex Array Sensor

WL27-3 P3402S13



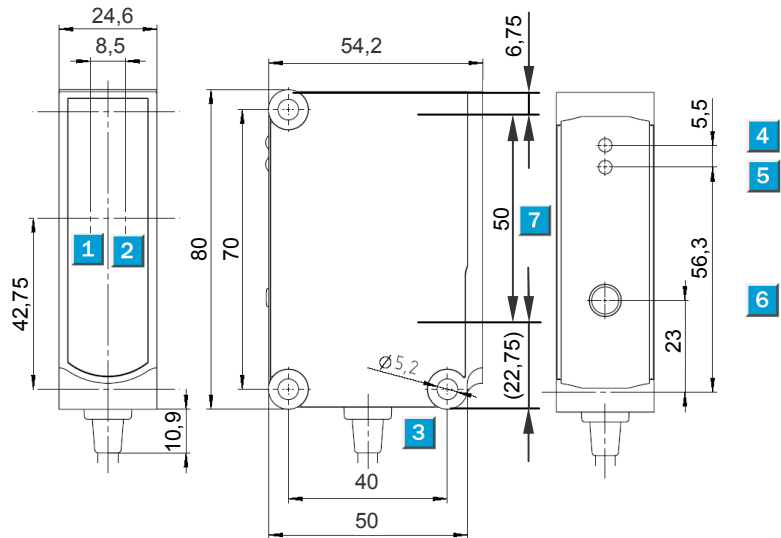
Scanning range
0.5...4.5 m

Reflex Array Sensor

- Position-independent detection within the light array
- Reduced installation effort in comparison to a light grid and to several individual sensors
- Optical alignment indicator
- More reliable operation due to the continuous automatic adjustment of the switching threshold

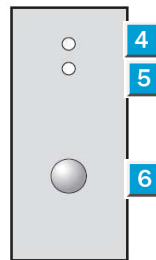


Dimensional drawing



Adjustments possible

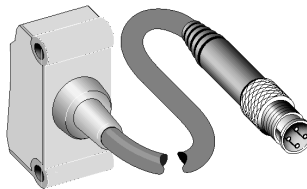
WL27-3P3402S13



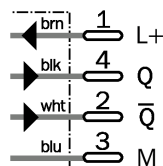
- 1 Optical axis, sender
- 2 Optical axis, receiver
- 3 Mounting hole $\varnothing 5.2$ mm
- 4 LED indicator, green; power on
- 5 LED indicator, yellow; status of received light beam
- 6 Sensitivity adjustment: single teach button
- 7 Opening of light array

Connection type

WL27-3P3402S13



M12, 4-pin



Stocked, Distributed, and Supported by

SENSORS INCORPORATED

507 Kelsey Street • Delano, MN 55328
Phone 763-972-1040 Fax 763-972-1041
Toll Free 888-920-0939
Sensorsincorporated.com

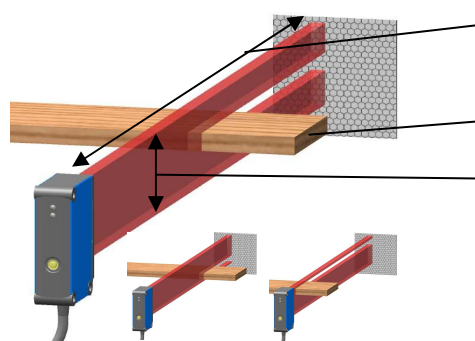
Reflex Array Sensor, PinPoint Technology, red light - DC

Technical data		WL27-3	P3402S13
Scanning range typ. max.	0.5...4.5 m / PL80A		
Scanning range typ. max.	0.5...2.0 m / PL40A		
Sensitivity adjustment	Teach-in: single teach button		
Light source, light type ¹⁾	PinPoint LED, red light		
Light array	Approx. 50 x 10mm at 2m distance		
Target size min.	Approx. 12 mm		
Supply voltage V_s ²⁾	10 ... 30 V DC		
Ripple ³⁾	$\leq 5 V_{PP}$		
Power consumption ⁴⁾	≤ 35 mA		
Switching output	PNP		
Signal voltage PNP HIGH/LOW	$> V_s - 2.5$ V / approx. 0 V		
Output current I_o max.	100 mA		
Response time ⁵⁾	≤ 2.5 ms		
Switching frequency ⁶⁾	200 Hz		
Repeat accuracy	~ 300 μ s		
Connection type ⁷⁾	Cable with connector, M12, 4-pin, PVC, 270 mm		
VDE protection class ⁸⁾	<input type="checkbox"/>		
Circuit protection ⁹⁾	A, B, C		
Enclosure rating	IP 67		
Ambient temperature operation	- 30 °C ... + 60 °C		
Ambient temperature storage	- 40 °C ... + 75 °C		
Housing material	ABS, PMMA		

- | | | | |
|---|---|------------------------------|---|
| 1) Average service life 100.000 h at $T_a = +25$ °C | 3) May not exceed or fail short of V_s tolerances | 6) With light/dark ratio 1:1 | 9) A = V_s connections reverse-polarity protected |
| 2) Limit values; operation in short-circuit protected network max. 8A | 4) Without load | 7) Do not bend below 0°C | B = Outputs short-circuit protected |
| | 5) Signal transit time with resistive load | 8) Reference voltage 50 V DC | C = Interference pulse suppression |

Order information

Type	Order no.
WL27-3P3402S13	1046538



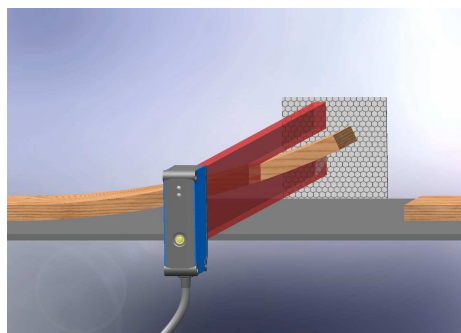
0.5 – 4.5 m*: distance sensor - reflector

target > approx. 12 mm*

nearly constant light array of approx. 50 mm

Position-independent detection within the light array

* other values on request



Applications:

- precise detection of leading edge for small differences in the height of the target, e.g. board, glass, parcel, bag, pallet
- prevention of multiple switching of irregular targets, e.g. perforated boxes

Great Britain

Phone +44 (0)1727 83 11 21
E-Mail info@sick.co.uk

USA

Phone +1(952) 941-6780
tollfree +1-800-325-7425
E-Mail info@sickusa.com

Australia

Phone +61 3 9497 4100
tollfree +1800 33 48 02
E-Mail sales@sick.com.au

More representatives and agencies in all major industrial nations at www.sick.com

SICK

Sensor Intelligence.