

Image-based Code Readers
ICR84x-2 FlexLens / ICR845-2L FlexLens /
FlexLens

ICR845-2L0020P01 FlexLens Kit



Stocked, Distributed, and Supported by

SENSORS
INCORPORATED

507 Kelsey Street • Delano, MN 55328
Phone 763-972-1040 Fax 763-972-1041
Toll Free 888-920-0939
Sensorsincorporated.com

SICK
Sensor Intelligence.

Model Name ICR845-2L0020P01
FlexLens Kit
Part Number 1047431



At a glance

- Pre-mounted kit including illumination, brackets and cables
- Easy parameterization with Live-image and automatic Auto-Setup configuration
- Omni-directional reading of direct marked 1D and 2D codes
- Rapid image and data transfer via Ethernet
- Reliable reading of codes even on fast moving objects

Your benefits

- Robust code identification even at very high transport speed and with speed variances simplify commissioning and increase flexibility in operation
- Fast, cost-effective commissioning via easy user interface with live image and Auto-Setup configuration
- Rapid, reliable decoding of low contrast, direct marked codes even in movement guaranteed
- Dynamic parameter switching makes decoding of different code qualities with just one setting possible
- Omni-directional identification of 1D and 2D codes makes identification of not aligned objects possible
- Solution for varied applications thanks to modular concept with c-mount lenses and different types of illuminations and illumination colors

Features

Type:	FlexLens
Reading field:	front
Focus:	Variable (per interchangeable lens)
Sensor:	CMOS matrix sensor
Sensor resolution:	752 px x 480 px (WVGA)
Code resolution:	0.1 mm ... 2 mm, depends on used lens
Reading distance (at code resolution):	0.1 m ... 3 m , depends on used lens
Scanning frequency:	60 Hz, for WVGA resolution
MTBF:	75,000 h
Lens:	Pre-mounted 25 mm lens
Lighting:	Ring-illumination, Brightfield, illumination color red, illumination distance 200 mm to 2 m, via pre-mounted ICL300-F222

Performance

Bar code types:	2/5 Interleaved, Codabar, Code 128, Code 39, EAN, EAN 128, Pharmacode, UPC
2D code types:	Data Matrix ECC200, PDF417
No. of codes per scan:	1 ... 50
No. of codes per reading interval:	1 ... 50

No. of characters per reading interval: 4,000

Interfaces

Serial (RS-232): ✓
Function (Serial (RS-232)): Host, AUX
Data transmission rate (Serial (RS-232)): 300 Baud ... 57,600 Baud , AUX: 9,600 Baud
Ethernet: ✓
Function (Ethernet): Host, AUX
Data transmission rate (Ethernet): 10 MBit/s ... 100 MBit/s
Protocol (Ethernet): TCP/IP, FTP
CAN-Bus: ✓
Function (CAN-Bus): CAN-sensor-network (Master/Slave, Multiplexer)
Data transmission rate (CAN-Bus): 10 KBit/s ... 1 MBit/s
Protocol (CAN-Bus): CANopen, CSN (SICK CAN sensor network)
PROFIBUS: -
Remark (PROFIBUS): Optionally via external connection module (CDM + CMF)
PROFINET: -
DeviceNet: -
Remark (DeviceNet): Optionally via external connection module (CDM + CMF)
Acoustic indicators: Buzzer (can be switched off, can be assigned a function to signal the result status)
Optical indicators: 4 LED (Status displays)
Switching inputs: 1
Switching outputs: 2 (Result 2: High side switch)
Reading pulse: nonpowered, Switching inputs, Serial interface

Mechanics/electronics

Operating voltage: 15 V DC ... 30 V DC
Power consumption: 8 W
Electrical connection: 1 RJ-45 socket on device, cables with 15 pin D-Sub-HD plug (0.9 m, ± 5 %)
Housing: Zinc diecast
Housing color: Light blue (RAL 5012)
Weight: 900 g, with connecting cable
Dimensions: 123.3 mm x 80 mm x 39 mm
Enclosure rating: IP 65 (EN 60529), A2, for installed adapter frame, IP65 Ethernet cable and IP65 lens cover or for installed adapter frame, IP65 cover and IP65 lens cover.
IP 30, without covered Ethernet connection or with standard Ethernet cable.
Protection class: 3 (EN 61140)

Ambient data

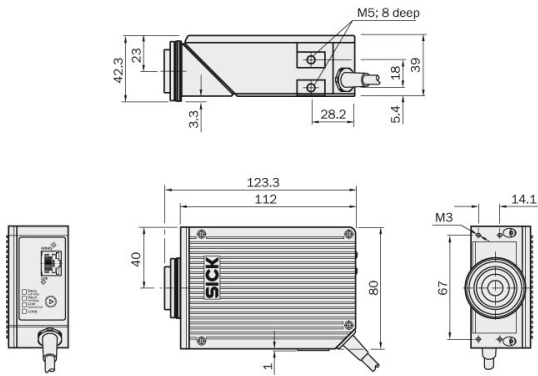
Ambient operating temperature: 0 °C ... 40 °C
Storage temperature: -20 °C ... 70 °C
Ambient light safety: 2,000 lx, on bar code
Electromagnetic compatibility (EMC): EN 61000-6-2/EN 61000-6-4
Vibration resistance: EN 60068-2-6
Shock resistance: EN 60068-2-27
Permissible relative humidity: 90 %, non-condensing

General notes

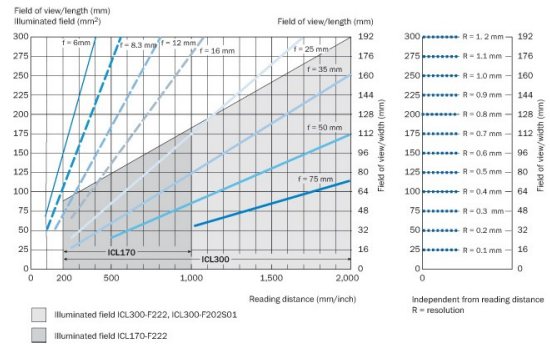
Items supplied:

Pre-mounted kit incl. ICR845-2L0020, ICL300-F222 (red), 25mm lens, IP65 hood, c-mount filter (red), mounting bracket, screws and connection cable (2m) for ring illumination, Ethernet crossover cable, mounting bracket ICR

Dimensional drawing



Reading field diagram



Australia
Phone +61 3 9497 4100
1800 33 48 02 – tollfree
E-Mail sales@sick.com.au

Belgium/Luxembourg
Phone +32 (0)2 466 55 66
E-Mail info@sick.be

Brasil
Phone +55 11 3215-4900
E-Mail sac@sick.com.br

Ceská Republika
Phone +420 2 57 91 18 50
E-Mail sick@sick.cz

China
Phone +852-2763 6966
E-Mail ghk@sick.com.hk

Danmark
Phone +45 45 82 64 00
E-Mail sick@sick.dk

Deutschland
Phone +49 211 5301-301
E-Mail kundenservice@sick.de

España
Phone +34 93 480 31 00
E-Mail info@sick.es

France
Phone +33 1 64 62 35 00
E-Mail info@sick.fr

Great Britain
Phone +44 (0)1727 831121
E-Mail info@sick.co.uk

India
Phone +91-22-4033 8333
E-Mail info@sick-india.com

Israel
Phone +972-4-999-0590
E-Mail info@sick-sensors.com

Italia
Phone +39 02 27 43 41
E-Mail info@sick.it

Japan
Phone +81 (0)3 3358 1341
E-Mail support@sick.jp

Nederlands
Phone +31 (0)30 229 25 44
E-Mail info@sick.nl

Norge
Phone +47 67 81 50 00
E-Mail austefjord@sick.no

Österreich
Phone +43 (0)22 36 62 28 8-0
E-Mail office@sick.at

Polska
Phone +48 22 837 40 50
E-Mail info@sick.pl

Republic of Korea
Phone +82-2 786 6321/4
E-Mail info@sickkorea.net

Republika Slovenija
Phone +386 (0)1-47 69 990
E-Mail office@sick.si

România
Phone +40 356 171 120
E-Mail office@sick.ro

Russia
Phone +7 495 775 05 34
E-Mail info@sick-automation.ru

Schweiz
Phone +41 41 619 29 39
E-Mail contact@sick.ch

Singapore
Phone +65 6744 3732
E-Mail admin@sicksgp.com.sg

Suomi
Phone +358-9-25 15 800
E-Mail sick@sick.fi

Sverige
Phone +46 10 110 10 00
E-Mail info@sick.se

Taiwan
Phone +886 2 2375-6288
E-Mail sales@sick.com.tw

Türkiye
Phone +90 216 587 74 00
E-Mail info@sick.com.tr

United Arab Emirates
Phone +971 4 8865 878
E-Mail info@sick.ae

USA/Canada/México
Phone +1(952) 941-6780
1 800-325-7425 – tollfree
E-Mail info@sickusa.com

More representatives and agencies
in all major industrial nations at
www.sick.com