

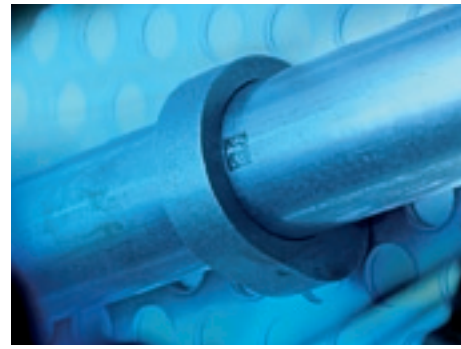


DPM Hand-Held Scanner IT6300 DPM and IT6320 DPM

Hand-Held Line

DPM hand-held scanner

IT6300 DPM and IT6320 DPM



DPM hand-held scanner series IT6300

The IT6300 DPM series is redefining the identification of direct part marked codes.

Whether the task is production control, component identification, complete traceability, protection against illegal copying, etc. – direct part marking of codes is becoming an increasingly popular tool. The IT6300 DPM series offers a solution for reliable identification wherever products are directly marked.

The devices use a special illumination concept which can be configured specifically to each application. It is possible, for example, to enable, disable or combine four illumination segments. Dark field illumination for instance, often needed when reading laser etched or dot-peened codes, is now possible.

An additional unique feature is the additional diffusor, a diffuse light source, ideal for reducing reflections when reading codes on highly reflective surfaces. A simple parameter selection enables this function.

Additionally the DPM hand-held scanners can store up to four different illumination settings. The scanner will toggle through the single settings until the code is successfully read. Then the scanner always begins with the setting which was successful at the last reading attempt. Therefore differently marked codes can be read without re-configuration.

The decoding algorithms within the scanner are designed especially for dealing with the challenges of direct part marking. It is therefore now possible to find and decode even low contrast or bad quality codes.

Moreover the IT6300 series is ideally suited for daily use in industrial environments. The devices are both robust and ergonomic.

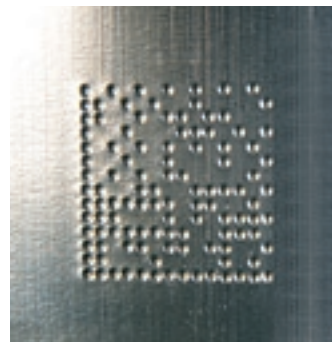
The DPM hand-held scanners are available in tethered as well as in cordless versions.

Furthermore the devices are available as Long Range (LR) models. In addition to the DPM code reading at contact those models are also able to read bar codes on standard labels up to a distance of 15 cm.

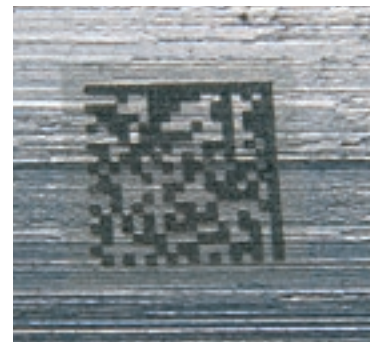
By combining innovative optics, specialised software and high robustness the IT6300 series is the ideal solution for discerning users wishing to take advantage of the benefits offered by direct part marking.



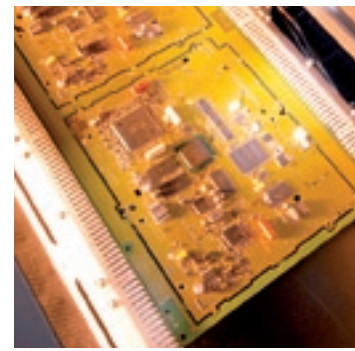
Laser on plastic



Needle stamping (dot-peening) on metal



Laser on cast iron



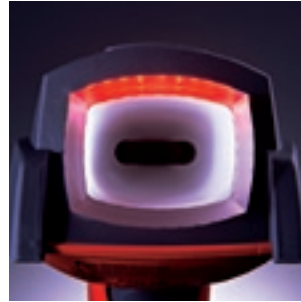
Innovative illumination possibilities



All LEDs engaged, for full light applications e.g. with low contrast codes



Single LED segments disabled, e.g. for curved surfaces



Diffuser for highly reflective surfaces

Your benefits:

- One device capable of reading various marking technologies
- Low contrast or highly reflective codes are identified reliably
- Robustness and ergonomics ensuring reliability under harsh conditions
- Cordless version for more freedom of movement

The IT6300 DPM at a glance:

- Illumination adjustable to application
- Decoding algorithms specialised for DPM codes
- USB, RS 232, PS2 interfaces
- Cordless Bluetooth™ class 2 version
- Robust IP 54 housing



Technical Data

Type	IT6300 DPM	IT6320 DPM	Base station IT2020
Illumination	Integrated diffuser, configurable LED segments		
Aiming	Horizontal, green aiming line		
Sensor	1280 x 960 Pixel		
Reading area	Standard version: contact up to approx. 5 cm, depending on code size and quality. Long Range version (LR): same as standard version plus up to approx. 15 cm on 1D codes on standard labels.		
Code types	2D: Data Matrix, QR code, MicroQR code 1D: EAN13, UPC-A, EAN8, UPC-E, 2/5 Interleaved, Code 39, Code 128, Code 93		
Optical indicators	LED for good read	LED for good read, low battery and radio connection status	LED for data transfer, system and battery status
Acoustical indicators	Beeper for good read	Beeper for good read and radio connection status	Beeper for system status
Interfaces	PS2, USB, RS 232 (TTL level)	Bluetooth™ class 2	Bluetooth™ class 2, PS2, USB, RS 232 (TTL level), optional RS 232 TRUE
Operating voltage	5 V DC		9 V DC
Battery		Lithium ion, 8 h capacity within normal use and fully charged at 25 °C	
Housing	Polycarbonate with shock-absorbing rubber bumpers		
Enclosure rating	IP 54	IP 54	IP 41
Mechanical shock	50 drops from 2 m height on concrete	25 drops from 2 m height on concrete	50 drops from 1 m height on concrete
Temperature (operation/storage)	-10 to +50 °C / -40 to +70 °C	0 to +50 °C / -40 to +60 °C	0 to +50 °C / -40 to +60 °C
Rel. humidity	0 to 95 %, non condensing		
Dimensions	134 mm x 84 mm x 175 mm	134 mm x 84 mm x 175 mm	79 mm x 142 mm x 109 mm
Weight	270 g (without cable)	330 g (incl. battery)	205 g (without cable)

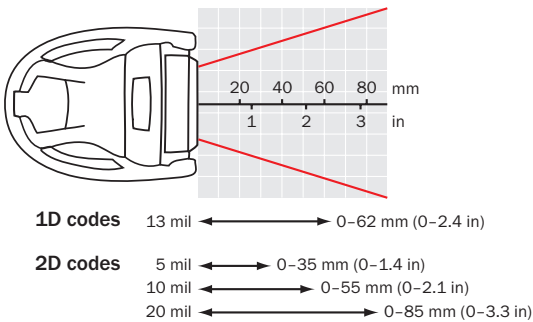
Order Information

Order No.	Type	Description
6032812 ^{*)}	IT6300 DPM	Omnidirectional DPM hand-held scanner for connection via PS2, USB or RS 232 (TTL level)
6035059 ^{*)}	IT6300 DPM LR	Omnidirectional DPM hand-held scanner for connection via PS2, USB or RS 232 (TTL level), for additional reading of standard labels
6032813	IT6320 DPM Kit	Kit consisting of cordless DPM hand-held scanner IT6320 DPM, base station IT2020, USB cable, power supply, manual and configuration software
6035060	IT6320 DPM LR Kit	Kit consisting of cordless DPM hand-held scanner IT6320 DPM LR, base station IT2020, USB cable, power supply, manual and configuration software
On request	Additional products such as interface cables, power supply or other accessories	

^{*)} For setting-up operation an interface cable and a power supply are additionally required.

Reading Diagrams

IT6300/IT6320



IT6300 LR/IT6320 LR

