



Pick2Light

The innovative solution for bin control on assembly and picking lines.

Stocked, Distributed, and Supported by

SENSORS
INCORPORATED

507 Kelsey Street • Delano, MN 55328
Phone 763-972-1040 Fax 763-972-1041
Toll Free 888-920-0939
Sensorsincorporated.com

SICK
Sensor Intelligence.

The 3-in-1 solution: sensor, Job-LED and reflector in one device.

For assembly lines and picking;
easy removal and fast access.

➔ THE JOB

- 360° visible Job-LED
- Signals the selected bin
- Optically confirms correct access
- Switchable Job-LED: permanently lit or flashing



➔ THE PHILOSOPHY

- No bin restriction because the sensor is mounted outside the bin
- For any bin size: The sensor may be mounted horizontally or vertically
- Ergonomic, no injury risk
- Stable aluminium housing





▶ THE CONCEPT

The reflective foil on the back of the sensor simultaneously acts as a reflector for the adjacent Pick2Light:

- Avoids additional assembly and cabling
- Saves costs
- Protected from reflections and ambient light
- Ranges up to 2 metres are possible



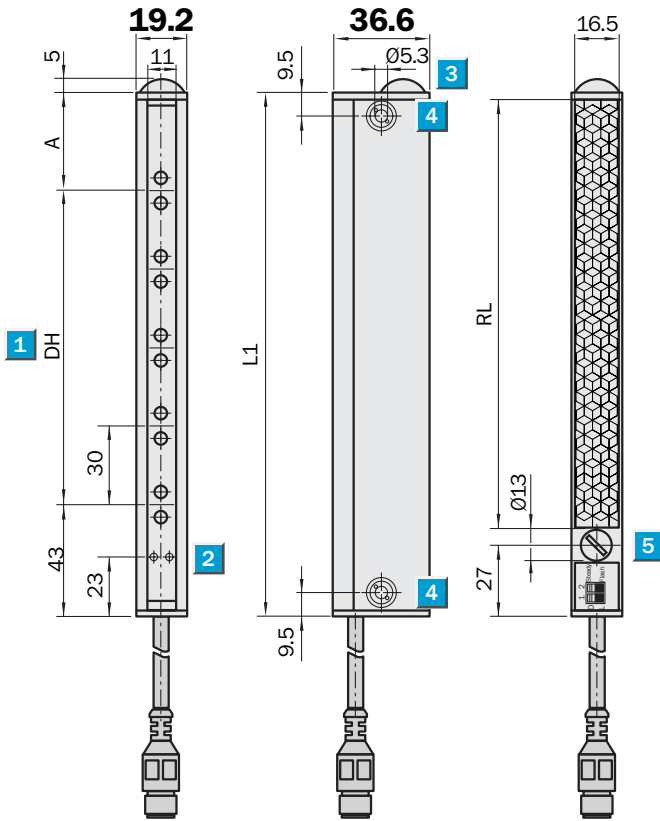
▶ THE FLEXIBILITY

- 5 different sensor heights, depending on bin contents
- 2 fixing screws are sufficient
- Slides easily in the profile
- For T slots, Bosch profiles, ITEM profiles etc.



- Picking light grid
- Reliable hand detection
- Easy set up
- Industrial housing
- Steady/flashing Job-LED
- Light/dark switching

Dimensional drawing



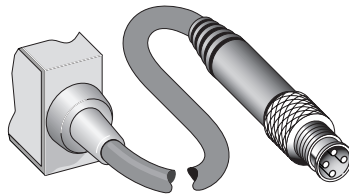
DH	A	L1	RL
120	36	199	162
210	26	279	242
270	36	349	312
360	26	429	392
420	36	499	462

- 1** Detection height (DH) 120 to 420 mm
- 2** Indicator Power On: green; beam status: yellow
- 3** Green Job-LED
- 4** Configuration switches
- 5** Mounting holes \varnothing 5.3 mm



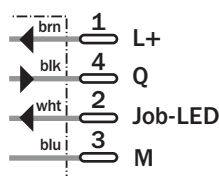
Connection types

PLG3-xxxF431



M12, 4-pin, with 280 mm cable

Accessories
Cables and connectors
Reflectors
Mounting brackets (on request)



Technical data	PLG3-	120 F431	210 F431	270 F431	360 F431	420 F431					
-----------------------	-------	----------	----------	----------	----------	----------	--	--	--	--	--

Scanning range, typ. max.	0.1 ... 1.5 m/REF-PLG										
	0.1 ... 2.0 m/PL150										
Detection height	120 mm										
	210 mm										
	270 mm										
	360 mm										
	420 mm										
Supply voltage V_S	15 ... 30 V DC ¹⁾										
Residual ripple	< 10 % within V_S tolerances										
Current consumption ²⁾ sender	Typ. 45 mA										
Job LED	Typ. 10 mA										
Light source	LED, visible red light										
Connection	M12, 4-pin with 280 mm cable										
Switching output³⁾	PNP output: Q										
Operating mode	Dark & light switching (per switch)										
Output current I_A max.	100 mA										
Output load	Capacitive load: 100 nF/ Inductive load: 1 H										
Response time⁴⁾	< 100 ms										
Initialisation period	Max. 600 ms										
Input Job LED activate	Input to V_S (15 ... 30 V DC)										
Input current I_A max.	12 mA										
VDE protection class	⚡										
Circuit protection⁵⁾	A, B, C										
Enclosure rating	IP 54										
Ambient temperature T_A	Operation -10 ... +55 °C Storage -25 ... +70 °C										
Mechanical resistance	Vibration: 5 g/10-55/s - IEC 68-2-6 Shock: 10 g/16 ms - IEC 68-2-29										
Weight	Approx. 200 g ⁶⁾										
Material	Housing Aluminium, anodized Front lens PMMA										

¹⁾ Limit values
²⁾ Without load at $V_S = 24$ V, without Job LED
³⁾ NPN on request
⁴⁾ With resistive load
⁵⁾ A = V_S -connection, reverse polarity protected
B = Outputs short-circuit protected
C = Interference suppression
⁶⁾ Increment: 50 g / 50 mm detection height

Optical performance						
Beam spacing	Detection height	MDO: minimum detectable object size				
		in front of PLG	at 0.3 m	at 0.6 m	1.0 m	
30 mm	120 ... 420 mm	30 mm	45 mm	60 mm	80 mm	

MDO: Minimum Detectable Object size for non-moving objects measured in a direction parallel to Pick2light

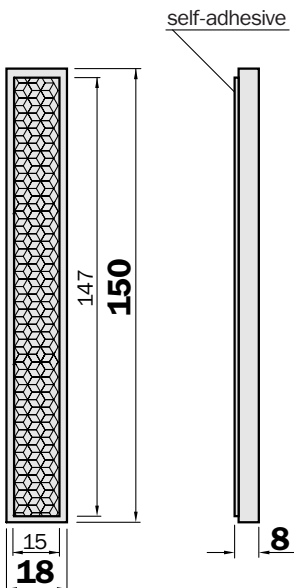
Min./operating/max. range vs reflector		Order information	
	Configuration over switches: 	Type	Order no.
		PLG3-120F431	1028953
		PLG3-210F431	1028548
		PLG3-270F431	1029130
		PLG3-360F431	1029131
		PLG3-420F431	1029132

Dimensional drawings and order information

Plastic design for temperatures up to 65 °C

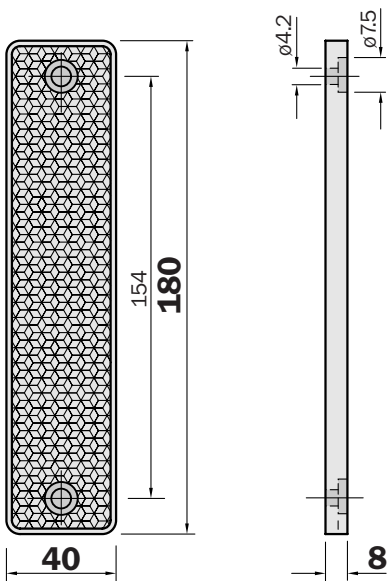
Reflector 15 x 150 mm², self-adhesive

Type	Order no.
PL150	5315548



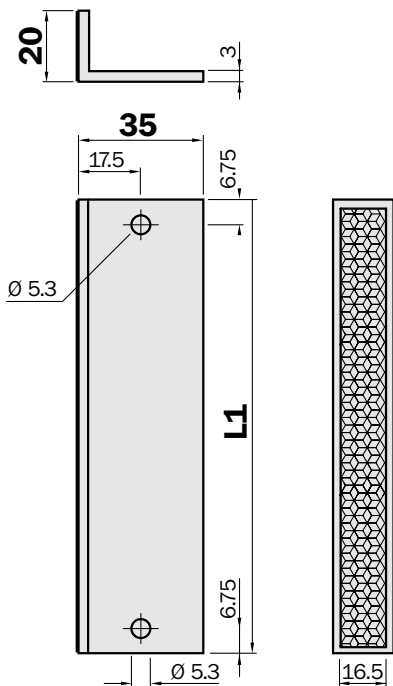
Reflector 40 x 180 mm²

Type	Order no.
PL180 E01	1013289



Reflector, Diamond Grade on aluminium profile for Pick2Light, same mask as sensor

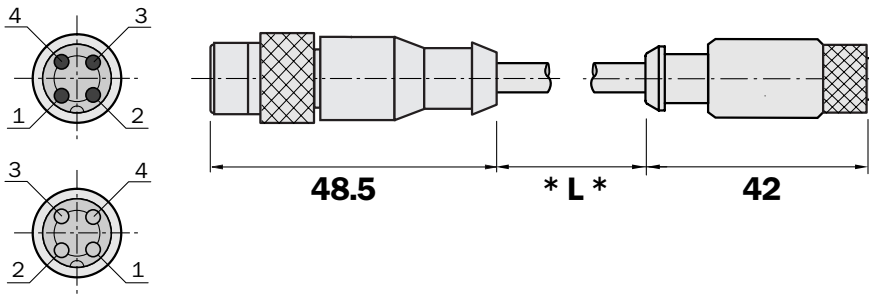
Type	Order no.	L1
REF-PLG120	1029196	194.3
REF-PLG210	1029197	274.3
REF-PLG270	1029198	344.3
REF-PLG360	1029199	424.3
REF-PLG420	1021200	494.3



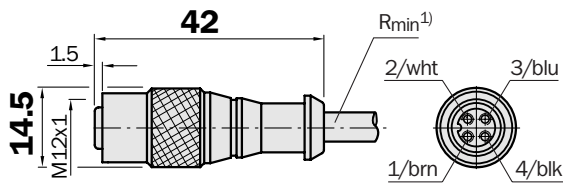
Dimensional drawings and order information

SENSICK round connectors 4-pin, M12, enclosure rating IP 67

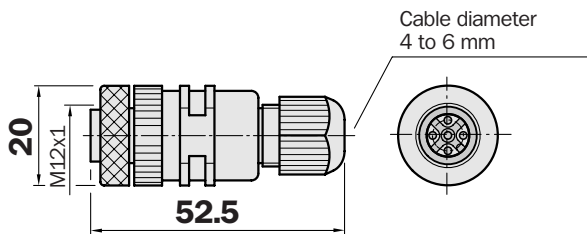
Female connector 4-pin, M12 straight			
Cable diameter 5 mm, 4 x 0,25 mm ² , coating PVC			
Type	Order no.	Contacts	Cable length
DSL-1204-G0M6	6022565	4	0.6 m
DSL-1204-G02M	6022567	4	2 m
DSL-1204-G05M	6022569	4	5 m



Female connector 4-pin, M12 straight			
Cable diameter 5 mm, 4 x 0.25 mm ² , coating PVC			
Type	Order no.	Contacts	Cable length
DOL-1204-G02M	6009382	4	2 m
DOL-1204-G05M	6009866	4	5 m
DOL-1204-G10M	6010543	4	10 m



Female connector 4-pin, M12 straight			
Type	Order no.	Contacts	Terminal screwed for cables Ø 4.5 to 6.5 mm
DOS-1204-G	6007302	4	



Australia

Phone +61 3 9497 4100
1800 33 48 02 – tollfree
E-Mail sales@sick.com.au

Belgium/Luxembourg

Phone +32 (0)2 466 55 66
E-Mail info@sick.be

Brasil

Phone +55 11 5091-4900
E-Mail sac@sick.com.br

Ceská Republika

Phone +420 2 57 91 18 50
E-Mail sick@sick.cz

China

Phone +852-2763 6966
E-Mail ghk@sick.com.hk

Danmark

Phone +45 45 82 64 00
E-Mail sick@sick.dk

Deutschland

Phone +49 (0)2 11 53 01-250
E-Mail info@sick.de

España

Phone +34 93 480 31 00
E-Mail info@sick.es

France

Phone +33 1 64 62 35 00
E-Mail info@sick.fr

Great Britain

Phone +44 (0)1727 831121
E-Mail info@sick.co.uk

India

Phone +91-22-2822 7084
E-Mail info@sick-india.com

Italia

Phone +39 02 27 40 93 19
E-Mail info@sick.it

Japan

Phone +81 (0)3 3358 1341
E-Mail info@sick.jp

Nederlands

Phone +31 (0)30 229 25 44
E-Mail info@sick.nl

Norge

Phone +47 67 81 50 00
E-Mail austefjord@sick.no

Österreich

Phone +43 (0)22 36 62 28 8-0
E-Mail office@sick.at

Polska

Phone +48 22 837 40 50
E-Mail info@sick.pl

Republic of Korea

Phone +82-2 786 6321/4
E-Mail kang@sickkorea.net

Republika Slovenija

Phone +386 (0)1-47 69 990
E-Mail office@sick.si

Russia

Phone +7 95 775 05 30
E-Mail info@sick-automation.ru

Schweiz

Phone +41 41 619 29 39
E-Mail contact@sick.ch

Singapore

Phone +65 6744 3732
E-Mail admin@sicksdp.com.sg

Suomi

Phone +358-9-25 15 800
E-Mail sick@sick.fi

Sverige

Phone +46 8 680 64 50
E-Mail info@sick.se

Taiwan

Phone +886 2 2365-6292
E-Mail sickgrc@ms6.hinet.net

Türkiye

Phone +90 216 587 74 00
E-Mail info@sick.com.tr

USA/Canada/México

Phone +1(952) 941-6780
1 800-325-7425 – tollfree
E-Mail info@sickusa.com

More representatives and agencies
in all major industrial nations at
www.sick.com