

Series SUBXWD incremental 1000m (1km) submersible solid shaft encoder



(Hard Anodized Aluminum version of the SUBXWD (72mm Ø) shown)



SUBXWD - XX - 13 XX - XXXX

					Resolution
<u>Encoder Size</u>		<u>Shaft Size</u>			
S = 72mm Ø		K1 = 12 x 25			
L = 90mm Ø		K5 = 12 x 20			

	-----	
<u>Connection</u>		<u>Exit</u>
M = MacArtney 8 pin		
MCBH8MSS Connector		R = Radial Aluminum
<a href="#">Connector Data Sheet</a>		A = Axial Aluminum
<a href="#">Cable Data Sheet</a>		T = Radial Stainless Steel
		C = Axial Stainless Steel

*For cable output, specify the length of cable to be attached to the mating connector side on a separate line on the PO*

Please call +44 1978 363 888 in Europe or 1 800 295 5693 in North America or [email](#) us for pricing & delivery

**Technical Data**

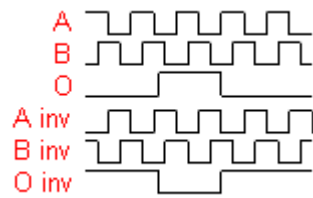
Operating temp: - 20 ...+ 60 degrees C  
 - 4 ...+ 140 degrees F  
 Max frequency: 150 kHz  
 Weight: 1 Kg to 6Kg  
 Protection: IP 68M  
 Housing: Aluminum or St. Steel  
 Shaft: Stainless Steel  
 Bearings: 2 x 6807 ZZ  
 Torque: 0.8 oz/in (6 N-cm)  
 Shaft load: Supports its own weight  
 Humidity: Up to 98% permissible  
 Speed: 600 RPM  
 Max. ppr: 5000

**Connection Options**

	MacArtney 8 pin	wires other end
PS GND	1	Black
PS 5 ... 24 V	2	Red
Output A	3	White
Output B	4	Blue
Output O	5	Green
Output A inv	6	Brown
Output B inv	7	Orange
Output O inv	8	Yellow

**Output**

Diagram is shown with clockwise shaft rotation viewed from shaft end



## Certifications

[IP 68M to 1000m testing](#)

SIRA Project Number 52 X 5980

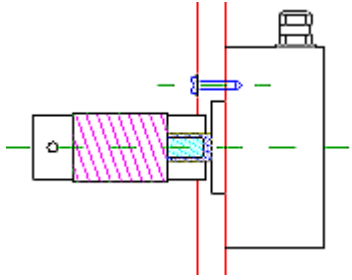
II 1G EEx ia II C T4 and/or I M1 EEx ia I

SIRA 00 ATEX 2085 [[Certificate](#), Variations [1](#), [2](#), [3](#)] PDF file

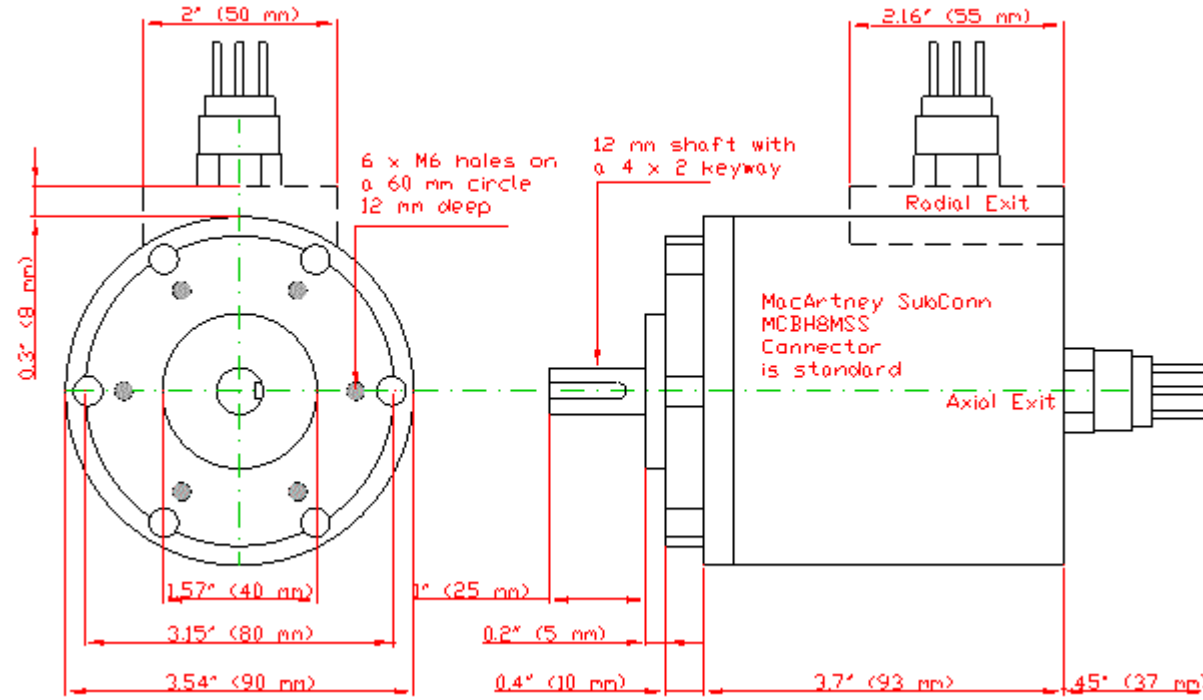
UL E216028 [[Certificate](#)] PDF file

## Mounting Instructions

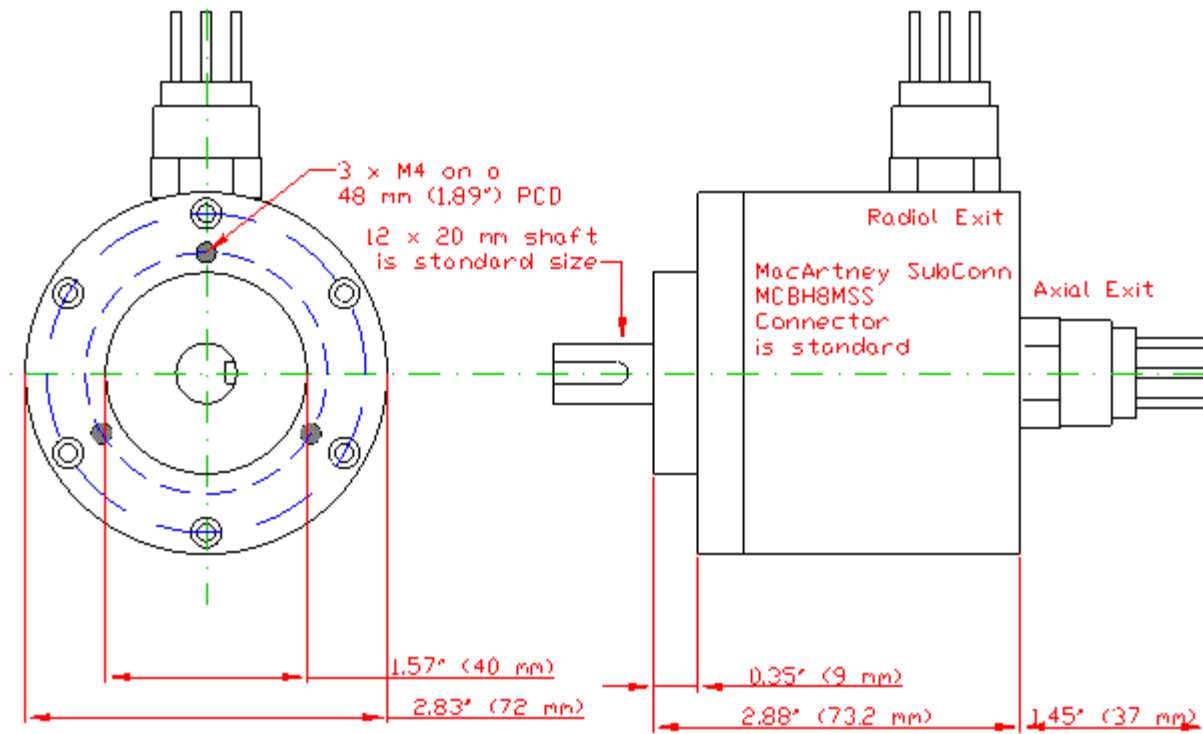
Hook up the encoder with the connections as described. Make sure power supply meets specifications. Attach encoder to mounting bracket as shown. Attach shaft using a flexible coupling.



## Dimensions of the 90 mm diameter version (Large)



## Dimensions of the 72 mm diameter version (Small)



Hohner Automation Ltd.  
Whitegate Industrial Estate  
Wrexham LL13 8UG  
United Kingdom

Tel: +44 (0) 1978 363-888  
Fax: +44 (0) 1978 364-586  
E-mail: [uksales@hohner.com](mailto:uksales@hohner.com)  
Web: [www.hohneronline.co.uk](http://www.hohneronline.co.uk)