

Safety switch TZ with guard locking and guard lock monitoring

- ▶ Mechanical release on the front
- ▶ 3 Push buttons with LED (blue/white/yellow)
- ▶ Plug connector for switch connection
- ▶ Plug connector for enabling switch
- ▶ Actuating head fitted left or right



Approach direction

- Horizontal
- Can be adjusted in 90° steps.

Solenoid operating voltage and LED function display

- The following voltage ranges are available:
- ▶ 24 V AC/DC -15%, +10%

Guard locking types

- TZ1** Closed-circuit current principle, guard locking by spring force. Release by applying voltage to the solenoid.
- TZ2** Open-circuit current principle, guard locking by applying voltage to the solenoid. Release by spring force.

Switching elements (see also Page 13/14)

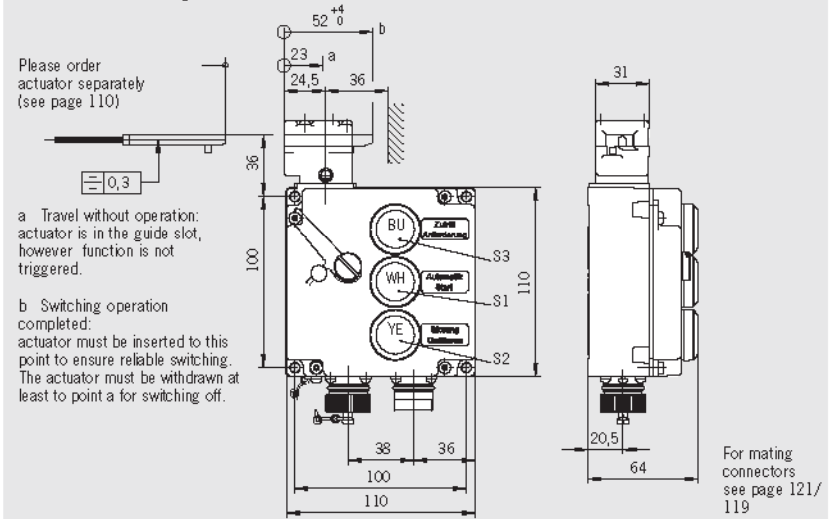
- SK** For monitoring the door/actuator position
- ÜK** For monitoring the guard locking (built-in solenoid)

For combinations available see ordering table:

- ▶ **2131H** Slow-action switching element
3 $\bar{0} \oplus + 1 S$
- ▶ **3131H** Slow-action switching element
2 $\bar{0} \oplus + 2 S$

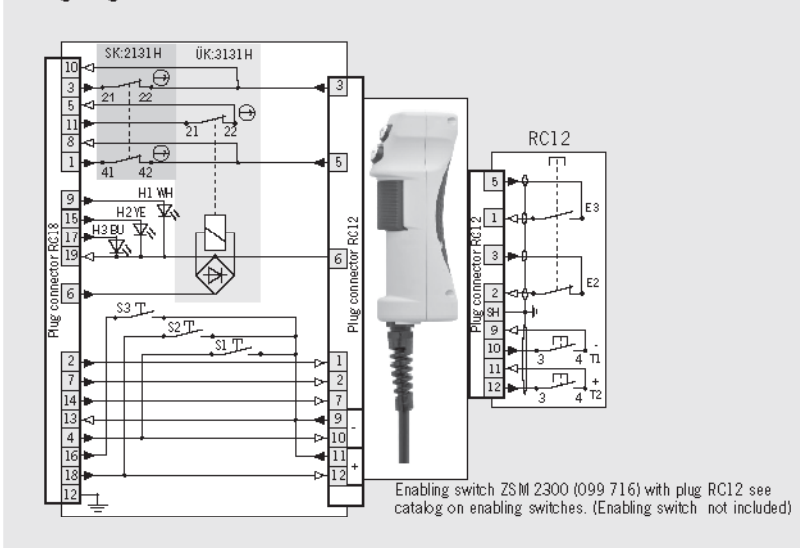
Plug connector RC18 and RC12 (enabling switch) 18-pin + PE / 12-pin

Dimension drawings Actuating head on the right is a mirror image



For mating connectors see page 121/119

Wiring diagrams Actuator inserted and locked



Enabling switch ZSM 2300 (099 716) with plug RC12 see catalog on enabling switches. (Enabling switch not included)

Ordering table

Series	Connection	Enabling switch connection	Guard locking	Switch head	Switching element	Version	Black cover
							24 V
TZ	RC18 ¹⁾ Plug connector	Enabling switch plug RC12	1 Mechanical	LE	SK: 2131H, 3 NC $\oplus + 1$ NO ÜK: 3131H, 2 NC $\oplus + 2$ NO	3 Push buttons with LED	100 445 TZ1LE024RC18-C2198
				RE	SK: 2131H, 3 NC $\oplus + 1$ NO ÜK: 3131H, 2 NC $\oplus + 2$ NO	3 Push buttons with LED	100 444 TZ1RE024RC18-C2198
			2 Electrical	LE	SK: 2131H, 3 NC $\oplus + 1$ NO ÜK: 3131H, 2 NC $\oplus + 2$ NO	3 Push buttons with LED	100 447 TZ2LE024RC18-C2198
				RE	SK: 2131H, 3 NC $\oplus + 1$ NO ÜK: 3131H, 2 NC $\oplus + 2$ NO	3 Push buttons with LED	100 446 TZ2RE024RC18-C2198

¹⁾ Important: use suitable mating connector with option C1825!

Stocked, Distributed, and Supported by

SENSORS
INCORPORATED

507 Kelsey Street • Delano, MN 55328
Phone 763-972-1040 Fax 763-972-1041
Toll Free 888-920-0939
Sensorsincorporated.com

Safety switch TZ

- ▶ Mechanical release on the front
- ▶ 2 Push buttons with LED (white/yellow)
- ▶ Plug connector for switch connection
- ▶ Plug connector for enabling switch
- ▶ Actuating head fitted left or right



Approach direction

- Horizontal
- Can be adjusted in 90° steps.

Operating voltage of LED function display

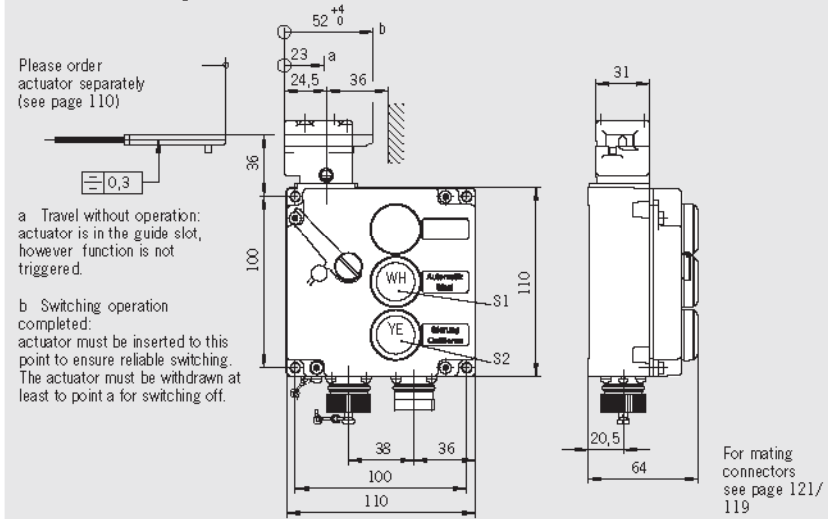
- The following voltage ranges are available:
- ▶ 24V AC/DC -15%, +10%

Plug connector RC18 and RC12 (enabling switch)

18-pin + PE / 12-pin

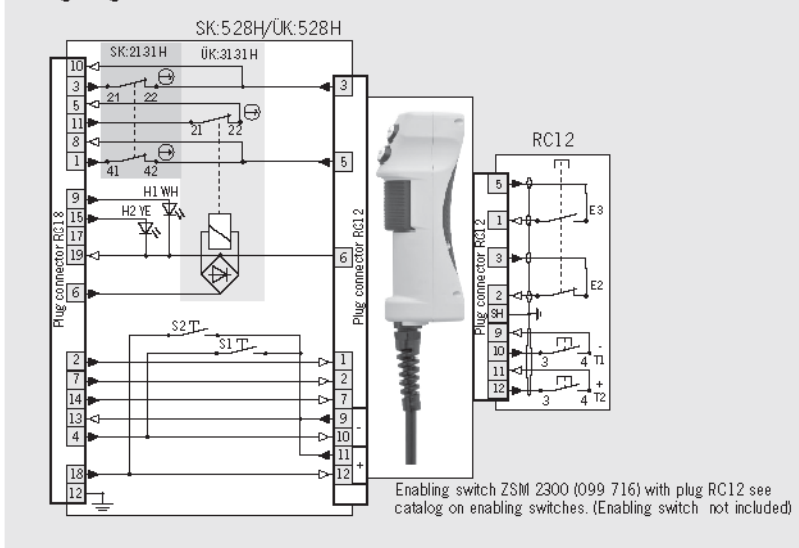
Dimension drawings

Actuating head on the right is a mirror image



Wiring diagrams

Actuator inserted



Ordering table

Series	Connection	Enabling switch connection	Guard locking	Switch head	Switching element	Version	Black cover
							24 V
TZ	RC18 ¹⁾ Plug connector	Enabling switch plug RC12	non	LE	SK: 2131H, 3 NC ⊖ + 1 NO ÜK: 3131H, 2 NC ⊖ + 2 NO	2 Push buttons with LED	100 449
				Left			TZ1LE000RC18-C2199
				RE	SK: 2131H, 3 NC ⊖ + 1 NO ÜK: 3131H, 2 NC ⊖ + 2 NO		2 Push buttons with LED
				Right			TZ1RE000RC18-C2199

1) **Important:** use suitable mating connector with option C1825!

Safety switch TZ with guard locking and guard lock monitoring

- ▶ Mechanical release on the front
- ▶ 2 Push buttons with LED (white/yellow)
- ▶ Additional LED green
- ▶ Plug connector for switch connection
- ▶ Plug connector for enabling switch
- ▶ Actuating head fitted left or right



Approach direction

- Horizontal
- Can be adjusted in 90° steps.

Solenoid operating voltage and LED function display

- The following voltage ranges are available:
- ▶ 24 V AC/DC -15%, +10%

Guard locking types

TZ1 Closed-circuit current principle, guard locking by spring force. Release by applying voltage to the solenoid.

TZ2 Open-circuit current principle, guard locking by applying voltage to the solenoid. Release by spring force.

Switching elements (see also Page 13/14)

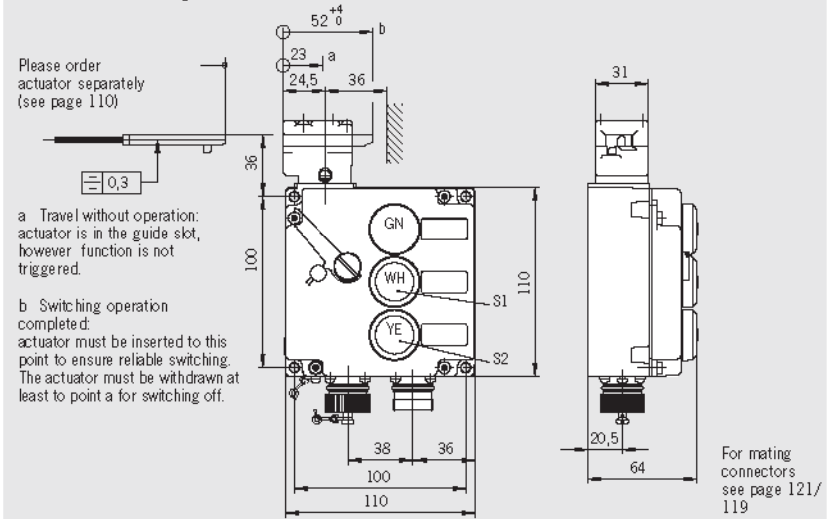
SK For monitoring the door/actuator position
ÜK For monitoring the guard locking (built-in solenoid)

For combinations available see ordering table:

- ▶ **2131H** Slow-action switching element
3 $\bar{0}$ + 1 S
- ▶ **3131H** Slow-action switching element
2 $\bar{0}$ + 2 S

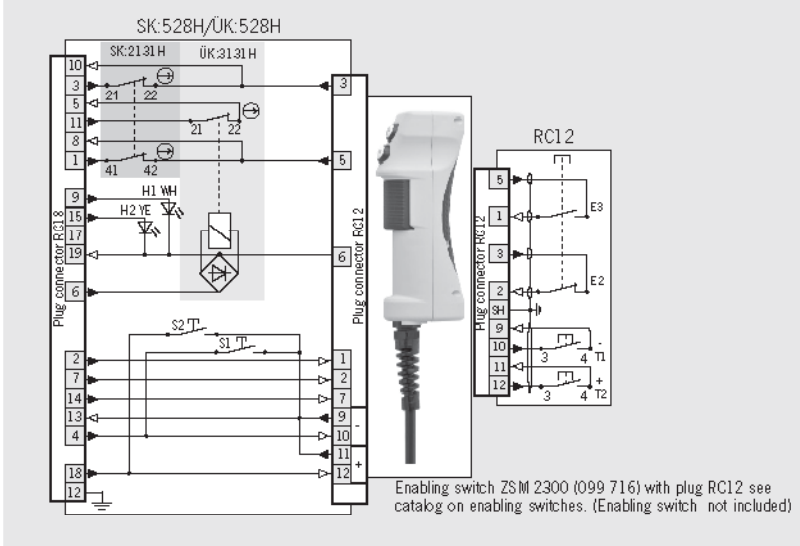
Plug connector RC18 and RC12 (enabling switch) 18-pin + PE / 12-pin

Dimension drawings Actuating head on the right is a mirror image



For mating connectors see page 121/119

Wiring diagrams Actuator inserted and locked



Ordering table

Series	Connection	Enabling switch connection	Guard locking	Switch head	Switching element	Version	Black cover
							24 V
TZ	RC18 ¹⁾ Plug connector	Enabling switch plug RC12	1 Mechanical	LE	SK: 2131H , 3 NC $\bar{0}$ + 1 NO ÜK: 3131H , 2 NC $\bar{0}$ + 2 NO	2 Push buttons with LED + 1 LED	100 176 TZ1 LE024RC18VAB-C2189
				RE	SK: 2131H , 3 NC $\bar{0}$ + 1 NO ÜK: 3131H , 2 NC $\bar{0}$ + 2 NO	2 Push buttons with LED + 1 LED	100 175 TZ1 RE024RC18VAB-C2189
			2 Electrical	LE	SK: 2131H , 3 NC $\bar{0}$ + 1 NO ÜK: 3131H , 2 NC $\bar{0}$ + 2 NO	2 Push buttons with LED + 1 LED	On request
				RE	SK: 2131H , 3 NC $\bar{0}$ + 1 NO ÜK: 3131H , 2 NC $\bar{0}$ + 2 NO	2 Push buttons with LED + 1 LED	On request

¹⁾ **Important** use suitable mating connector with option C1825!